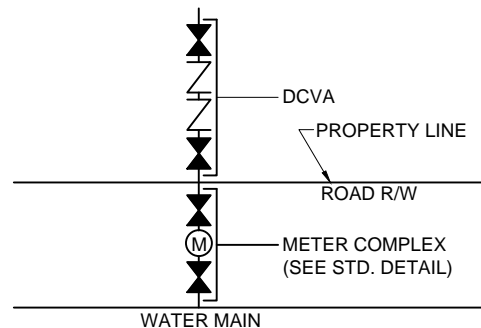


NOTE:

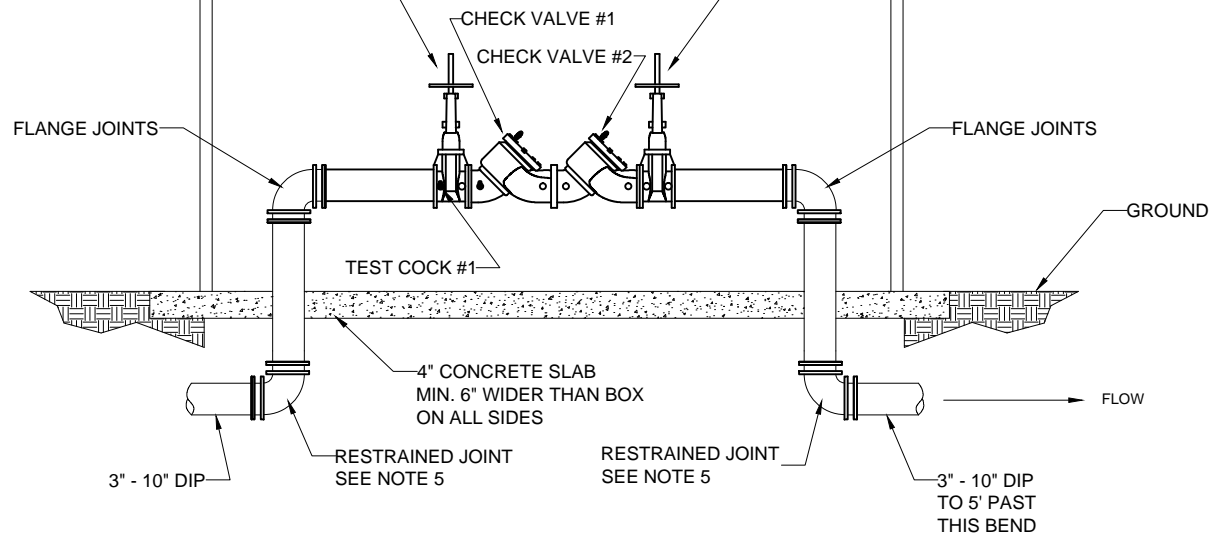
1. DCVA MUST CONFORM TO MCPW SPECIFICATIONS FOR BACKFLOW PREVENTION ASSEMBLIES 3/4" - 1".
2. MCPW APPROVED DCVA'S INCLUDE SHUT OFF VALVE #1 AND #2 AS PART OF THE ASSEMBLY, NO SUBSTITUTIONS SHALL BE PERMITTED.
3. TEST COCK #1 SHALL BE UPSTREAM OF SHUT OFF VALVE #1 AND IS PART OF THE APPROVED ASSEMBLY. ALL TEST COCKS MUST BE ON ONE SIDE OR TOP. ASSEMBLIES SHALL BE INSTALLED UPRIGHT AND IN THE HORIZONTAL POSITION.
4. IF OUTDOOR INSTALLATION HAS PROTECTIVE COVER, IT SHALL BE AS SPECIFIED BY MCPW SPECIFICATIONS.
5. ABOVE GROUND INSTALLATIONS MUST BE LOCATED OUTSIDE ZONING SETBACK AREAS.



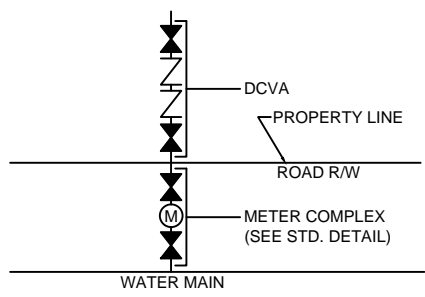
REVISED		MOORE COUNTY PUBLIC WORKS ENGINEERING DIVISION	DOUBLE CHECK VALVE ASSEMBLY ABOVE GROUND (DCVA) 3/4" - 2"	STD NO. CC-1
DATE	DESCRIPTION			

INSULATED ENCLOSED "HOT BOX"
MINIMUM 9" CLEARANCE ON EACH
END & SIDE OFF THE ASSEMBLY

RESILIENT SEATED GATE VALVE
WITH HANDWHEEL OPERATED
SHUT OFF VALVE #1; SEE NOTE 2 AND 3



- NOTE:
1. DOUBLE CHECK VALVE ASSEMBLIES (DCVA) MUST CONFORM TO MCPW SPECIFICATIONS.
 2. MCPW APPROVED DCVA'S INCLUDE SHUT OFF VALVE #1 AND #2 AS PART OF THE ASSEMBLY. NO SUBSTITUTIONS SHALL BE PERMITTED.
 3. FIRE LINE SERVICES SHALL HAVE OUTSIDE STEM AND YOKE HANDWHEEL OPERATORS.
 4. 8" - 10" DCVA SHALL BE SUPPORTED AT CENTER OF HANDWHEEL WITH BRICK PEDESTALS OR APPROVED PIPE STANDS
 5. RESTRAINED JOINTS SHALL BE MEGA-LUG RESTRAINTS OR APPROVED EQUAL.
 6. TEST COCK #1 SHALL BE UPSTREAM OF SHUT OFF VALVE #1 AND IS PART OF THE APPROVED ASSEMBLY.
 7. IF OUTDOOR INSTALLATION HAS PROTECTIVE COVER, IT SHALL BE AS SPECIFIED BY MCPW SPECIFICATIONS FOR INSTALLATION OF BACKFLOW PREVENTION ASSEMBLIES.
 8. ABOVE GROUND INSTALLATIONS MUST BE LOCATED OUTSIDE ZONING SETBACK AREAS.

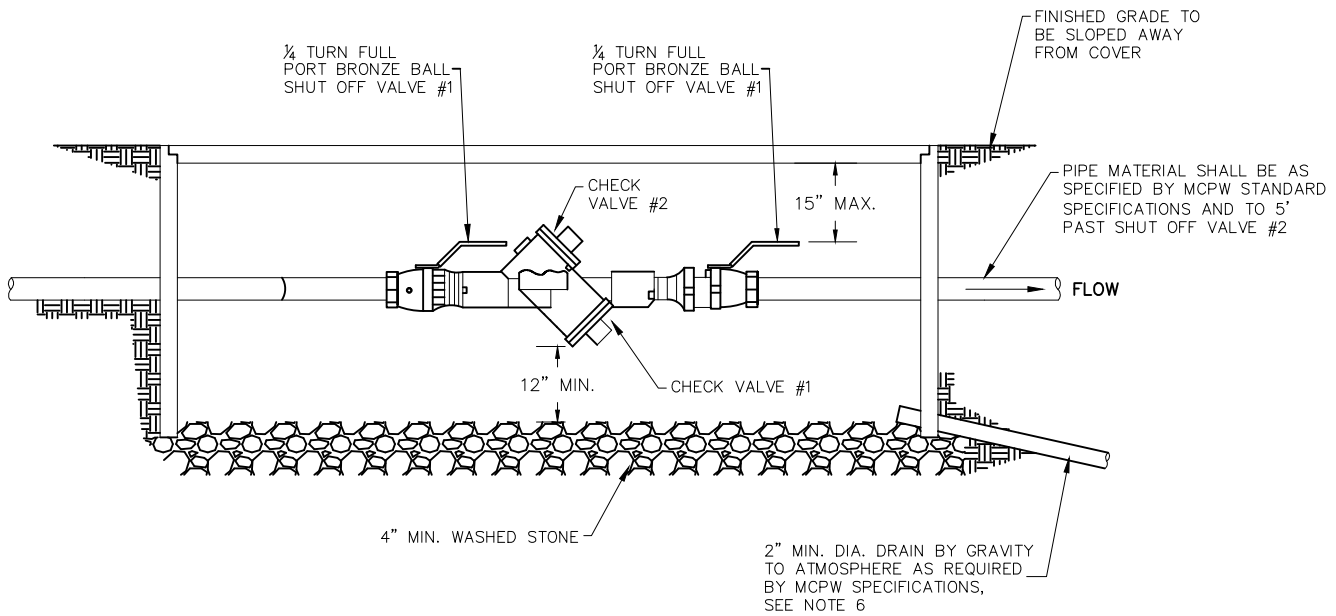


REVISED	
DATE	DESCRIPTION

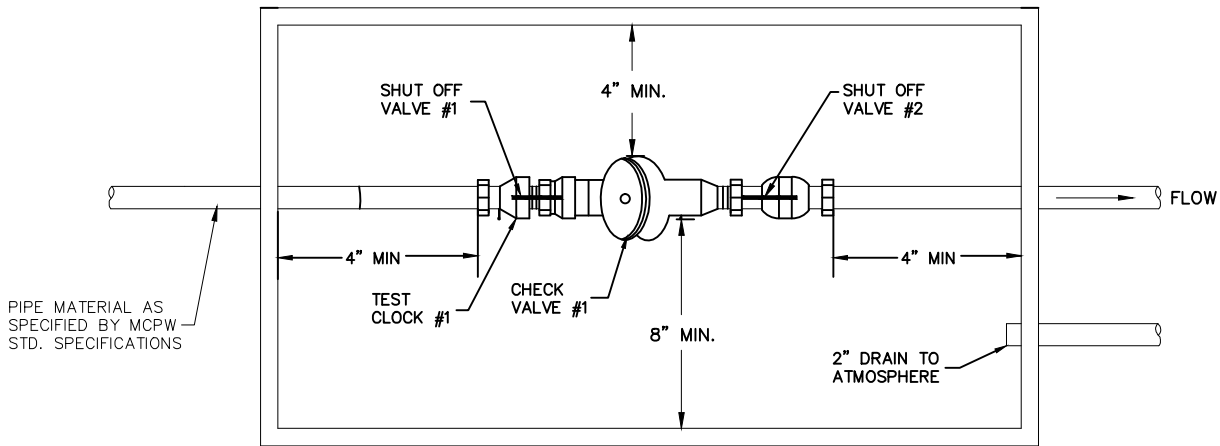
**MOORE COUNTY PUBLIC WORKS
ENGINEERING DIVISION**

**DOUBLE CHECK VALVE ASSEMBLY
ABOVE GROUND 1-1/2" - 10"**

STD NO.
CC-2



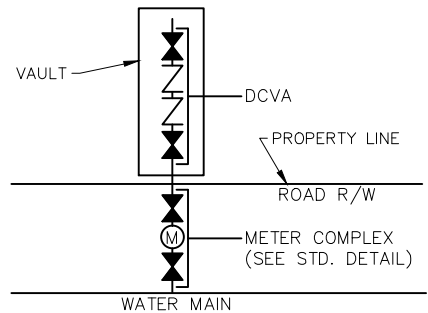
ELEVATION VIEW



PLAN VIEW

NOTE:

1. DCVA MUST CONFORM TO MCPW SPECIFICATIONS FOR BACKFLOW PREVENTION ASSEMBLIES 3/4" - 1".
2. MCPW APPROVED DCVA'S INCLUDE SHUT OFF VALVE #1 AND #2. NO SUBSTITUTIONS SHALL BE PERMITTED.
3. VAULT, DOORS, OR COVERS AND SUPPORT OF ASSEMBLY SHALL BE APPROVED BY MCPW.
4. IF DRAINAGE CANNOT BE PROVIDED TO FREE ATMOSPHERE OR STORM DRAINAGE, THE DCVA'S SHALL BE INSTALLED ABOVE GROUND.
5. TEST COCK #1 SHALL BE UPSTREAM OF SHUT OFF VALVE #1 AND IS PART OF THE APPROVED ASSEMBLY. ALL TEST COCKS MUST BE ON ONE SIDE OR TOP. ASSEMBLIES SHALL BE INSTALLED UPRIGHT AND IN THE HORIZONTAL POSITION.
6. DRAIN MAY BE PROVIDED AS SHOWN OR AS FLOOR DRAIN.

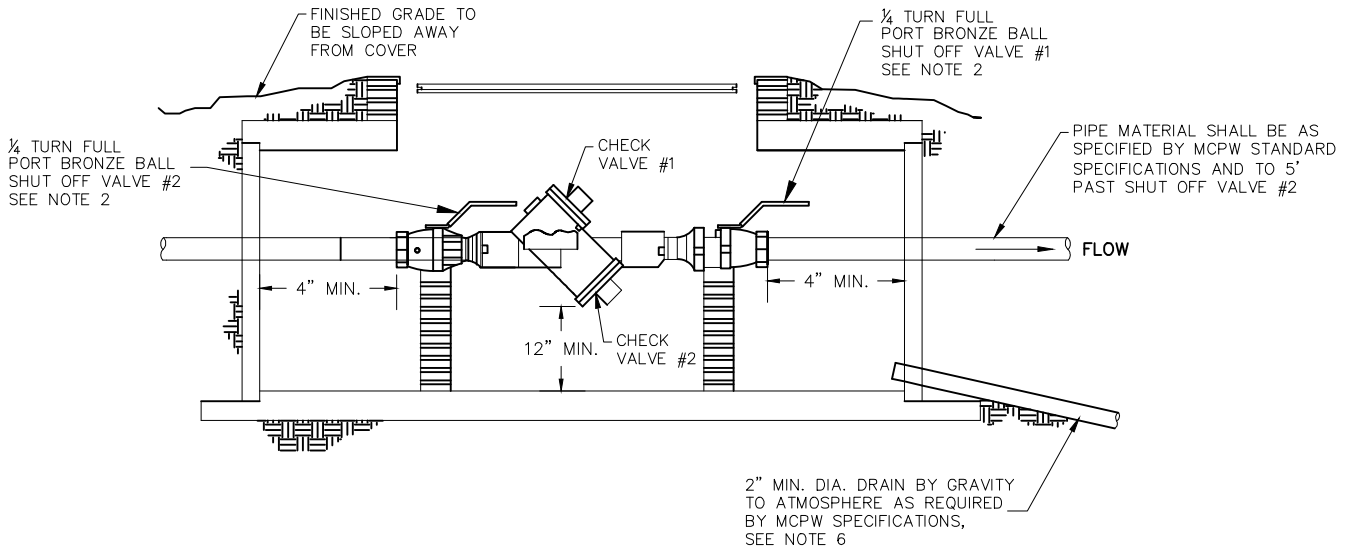


REVISED	
DATE	DESCRIPTION

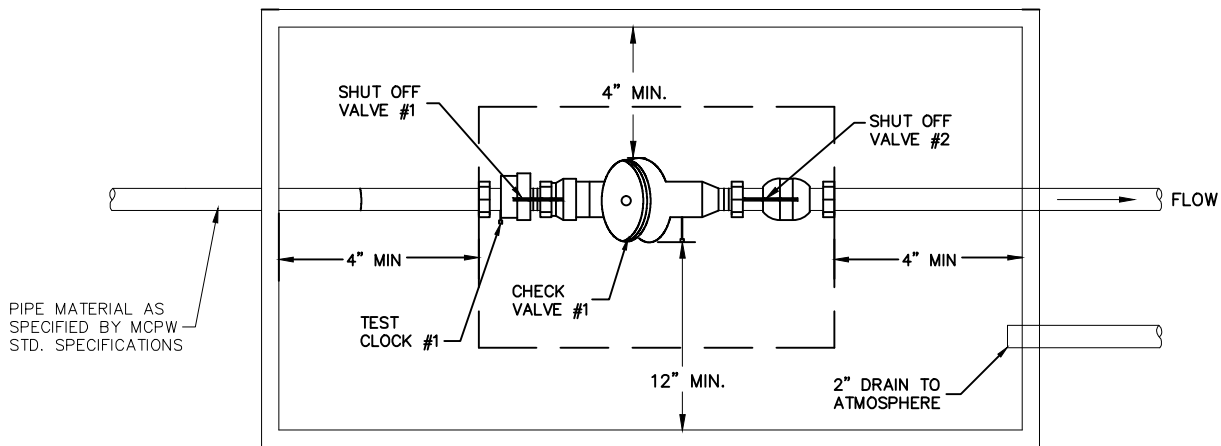
**MOORE COUNTY PUBLIC WORKS
ENGINEERING DIVISION**

**DOUBLE CHECK VALVE ASSEMBLY
VAULT - 3/4" - 1"**

**STD NO.
CC-3**



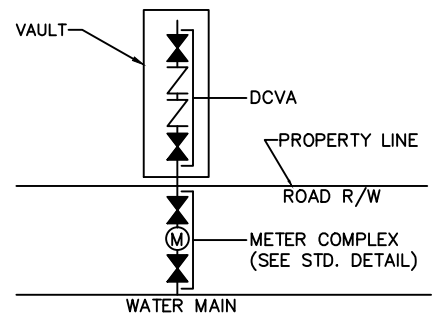
ELEVATION VIEW



PLAN VIEW

NOTE:

1. DCVA MUST CONFORM TO MCPW SPECIFICATIONS FOR BACKFLOW PREVENTION ASSEMBLIES 1 1/2" - 10".
2. MCPW APPROVED DCVA'S INCLUDE SHUT OFF VALVE #1 AND #2. NO SUBSTITUTIONS SHALL BE PERMITTED.
3. VAULT, DOORS, OR COVERS AND SUPPORT OF ASSEMBLY SHALL BE APPROVED BY MCPW.
4. IF DRAINAGE CANNOT BE PROVIDED TO FREE ATMOSPHERE OR STORM DRAINAGE, THE DCVA'S SHALL BE INSTALLED ABOVE GROUND.
5. TEST COCK #1 SHALL BE UPSTREAM OF SHUT OFF VALVE #1 AND IS PART OF THE APPROVED ASSEMBLY. ALL TEST COCKS MUST BE ON ONE SIDE OR TOP. ASSEMBLIES SHALL BE INSTALLED UPRIGHT AND IN THE HORIZONTAL POSITION.
6. DRAIN MAY BE PROVIDED AS SHOWN OR AS FLOOR DRAIN.



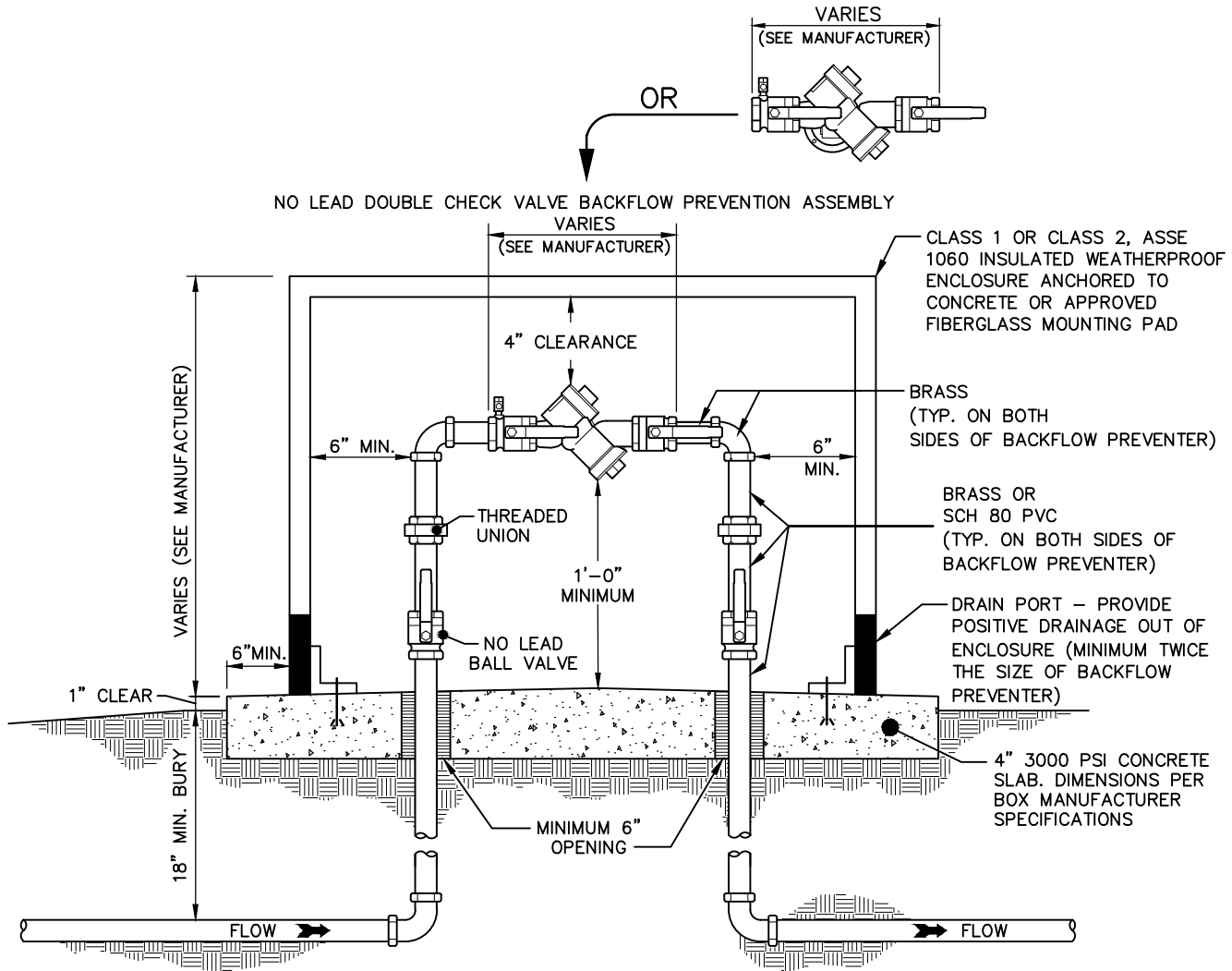
REVISED	
DATE	DESCRIPTION

**MOORE COUNTY PUBLIC WORKS
ENGINEERING DIVISION**

**DOUBLE CHECK VALVE ASSEMBLY
VAULT 1 1/2" - 10"**

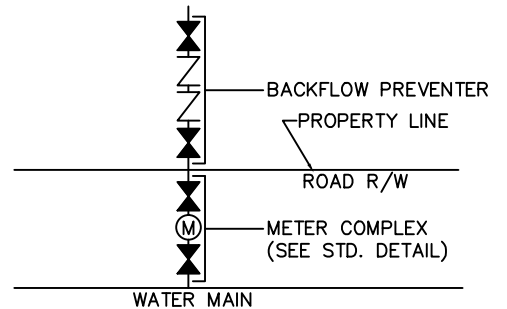
**STD NO.
CC-4**

NO LEAD REDUCED PRESSURE PRINCIPLE BACKFLOW PREVENTION ASSEMBLY



NOTE:

1. REDUCED PRESSURE PRINCIPLE BACKFLOW PREVENTION (RPZ) ASSEMBLY MUST CONFORM TO MCPW SPECIFICATIONS FOR BACKFLOW PREVENTION ASSEMBLIES $\frac{3}{4}$ " - 2".
2. MCPW APPROVED RPZ'S INCLUDE SHUT OFF VALVE #1 AND #2 AS PART OF THE ASSEMBLY. NO SUBSTITUTIONS SHALL BE PERMITTED.
3. TEST COCK #1 SHALL BE UPSTREAM OF SHUT OFF VALVE #1 AND IS PART OF THE APPROVED ASSEMBLY. ALL TEST COCKS MUST BE ON ONE SIDE OR TOP. ASSEMBLIES SHALL BE INSTALLED UPRIGHT AND IN THE HORIZONTAL POSITION.
4. IF OUTDOOR INSTALLATION HAS PROTECTIVE COVER, IT SHALL BE AS SPECIFIED BY MCPW SPECIFICATIONS.
5. ABOVE GROUND INSTALLATIONS MUST BE LOCATED OUTSIDE ZONING SETBACK AREAS.
6. PROTECTIVE COVER TO HAVE A DRAIN PORT TWICE THE SIZE AS THE WATER MAIN.

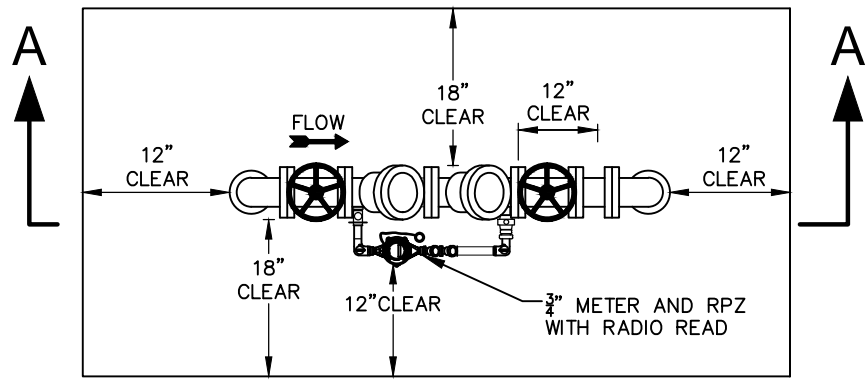


REVISED	
DATE	DESCRIPTION

MOORE COUNTY PUBLIC WORKS
ENGINEERING DIVISION

**REDUCED PRESSURE PRINCIPLE
BACKFLOW ASSEMBLY
ABOVE GROUND (RPZ) $\frac{3}{4}$ " - 2"**

STD NO.
CC-5



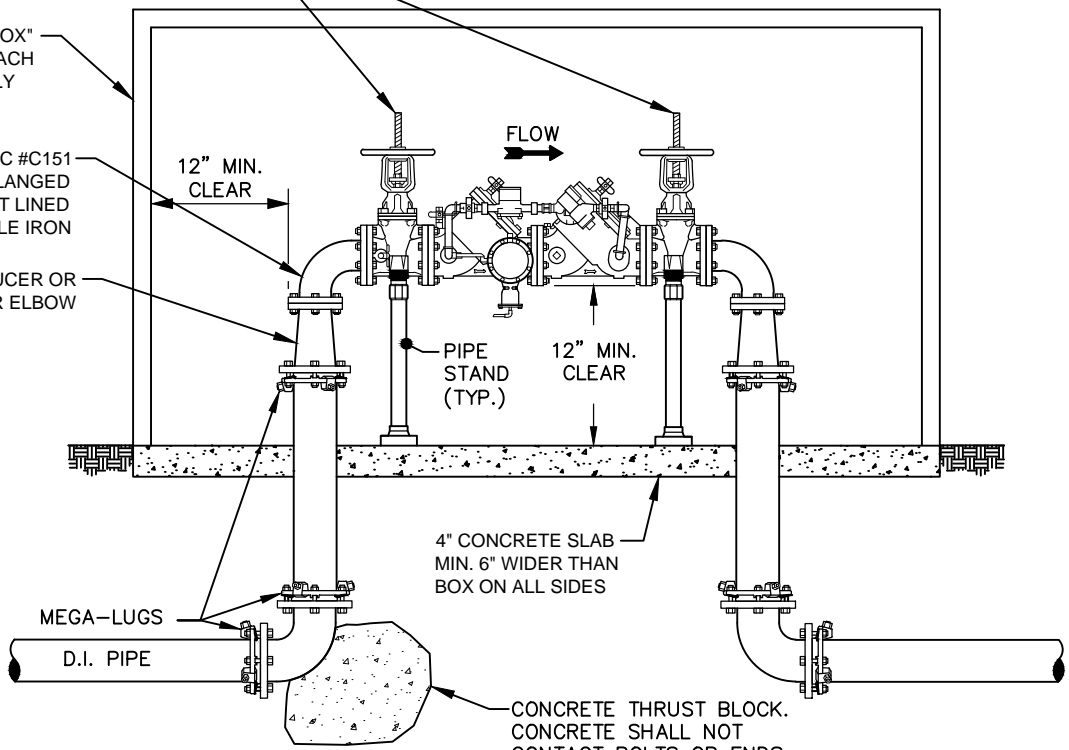
TOP VIEW

RESILIENT SEATED GATE VALVE WITH HANDWHEEL OPERATED SHUT OFF VALVE #1, SEE NOTE 2, 3

INSULATED ENCLOSED "HOT BOX" MINIMUM 9" CLEARANCE ON EACH END & SIDE OFF THE ASSEMBLY

AWWA SPEC #C151 CLASS 350 FLANGED FITTING, CEMENT LINED DUCTILE IRON

REDUCER OR REDUCER ELBOW

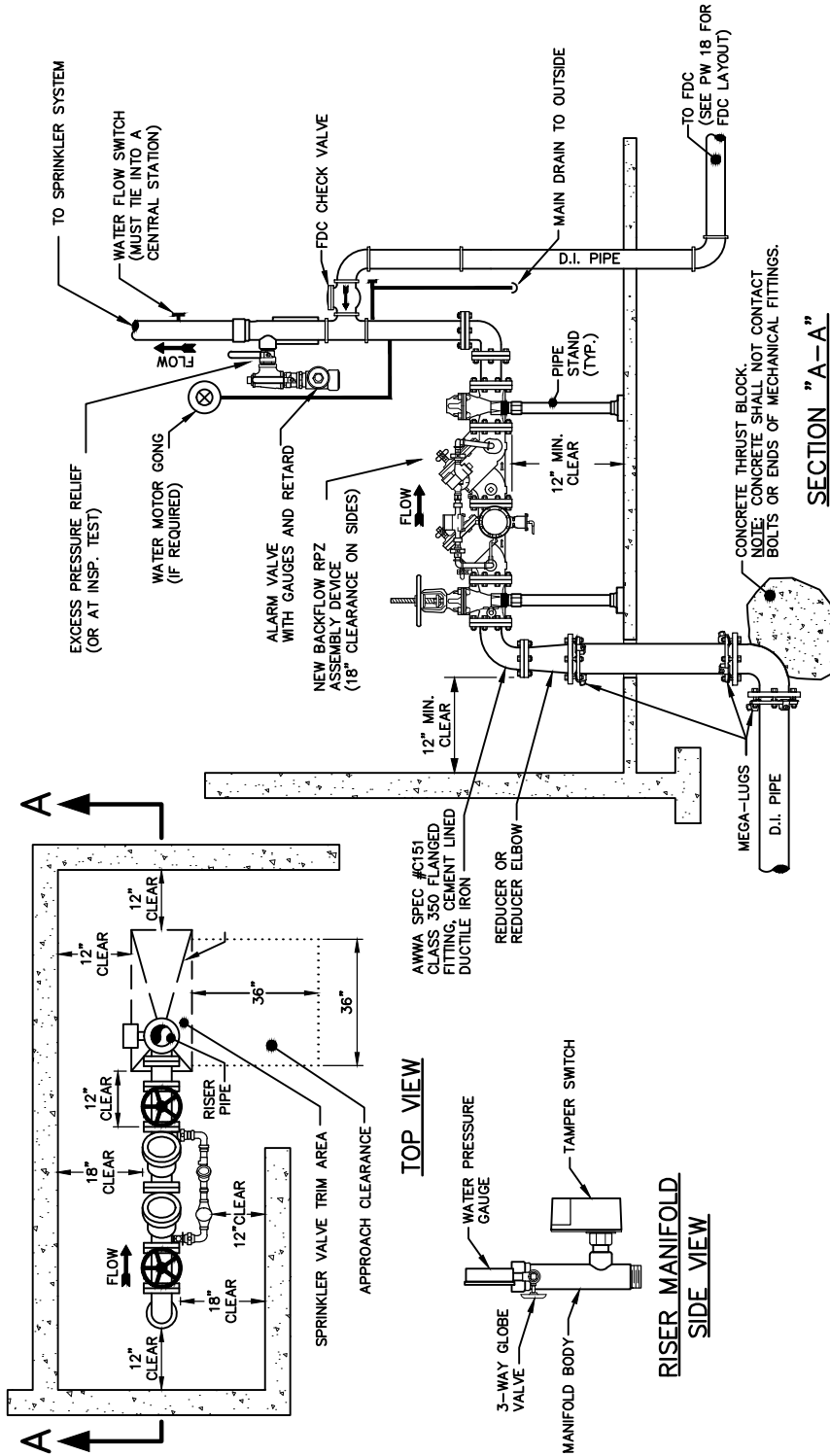


SECTION "A-A"

NOTE:

1. REDUCED PRESSURE PRINCIPLE ASSEMBLIES (RPZ) MUST CONFORM TO MCPW SPECIFICATIONS.
2. THE MCPW APPROVED RPZ INCLUDES SHUT OFF VALVES #1 AND #2 AS PART OF THE ASSEMBLY. NO SUBSTITUTIONS SHALL BE PERMITTED.
3. FIRE LINE SERVICES SHALL HAVE OUTSIDE STEM AND YOKE HANDWHEEL OPERATORS.
4. 8" - 10" RPZ SHALL BE SUPPORTED AT CENTER OF HANDWHEEL WITH BRICK PEDESTALS.
5. RESTRAINED JOINTS SHALL BE MEGA-LUG RESTRAINTS OR APPROVED EQUAL.
6. TEST COCK #1 SHALL BE UPSTREAM OF SHUT OFF VALVE #1 AND IS PART OF THE APPROVED ASSEMBLY.
7. IF OUTDOOR INSTALLATION HAS PROTECTIVE COVERING, IT SHALL BE AS SPECIFIED IN MCPW SPECIFICATIONS FOR INSTALLATION OF BACKFLOW PREVENTION ASSEMBLIES.
8. ABOVE GROUND INSTALLATIONS MUST BE LOCATED OUTSIDE ZONING SETBACK AREAS.
9. PROTECTIVE COVER TO HAVE A DRAIN PORT TWICE THE SIZE AS THE WATER MAIN.
10. METAL, BRICK OR CONCRETE PEDESTAL IS REQUIRED UNDER GATE VALVES FOR 2-1/2" & LARGER.

REVISED		MOORE COUNTY PUBLIC WORKS ENGINEERING DIVISION	REDUCED PRESSURE DETECTOR BACKFLOW ASSEMBLY ABOVE GROUND (RPZ) 2-1/2" - 10"	STD NO. CC-6
DATE	DESCRIPTION			



SECTION "A-A"

TOP VIEW

RISER MANIFOLD SIDE VIEW

REVISED	
DATE	DESCRIPTION

**MOORE COUNTY PUBLIC WORKS
ENGINEERING DIVISION**

SPRINKLER RISER

**STD NO.
CC-7**